



MS

!D Top

THE WELL-DESIGNED AND ALMOST INVISIBLE !D TOP ENSURES A COMPLETELY OPEN ENTRANCE OF YOUR STORE. NEDAP STORE !D SYSTEMS OFFER OUTSTANDING PERFORMANCE, DETECTION DISTANCE AND STABLE PERFORMANCE IN ANY RETAIL ENVIRONMENT.

DEPENDING ON THE ROLE, THE !D TOP CAN BE USED FOR EAS, BACK-ROOM TO SHOP-FLOOR TRANSITION AND GOODS RECEIVING. THE OPTIMUM RFID SETTINGS ARE CHOSEN AUTOMATICALLY.

LARGE ENTRANCES CAN BE COVERED EASILY, DUE TO THE INTEGRATED SYNCHRONIZATION BETWEEN THE UNITS.

REMOTE MANAGEMENT AND FIRMWARE UPDATE IS READILY AVAILABLE FOR ALL INSTALLED PRODUCTS. THE NEDAP API ENSURES EASY AND FAST INTEGRATION IN 3RD PARTY SOFTWARE SOLUTIONS.

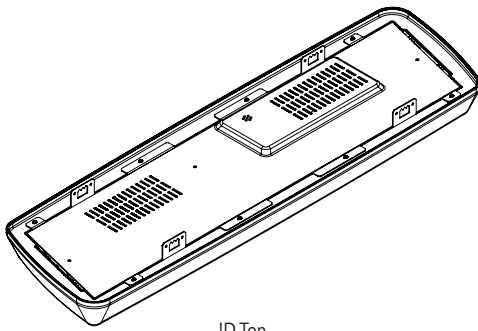
specifications

- State-of-the-art reader and antenna design, ensuring optimal read performance, even in challenging environments
- Advanced Tag Filtering (ATF) ensures that it only reads tags that need to be read and ignores stray tags
- Simple to install and easy to configure; web-based remote management and firmware update available
- Automatically chooses optimal settings for reading, based on the system role (EAS, back-room to shop-floor transition, goods receiving)
- Standard light and audio signalization
- Open API available for integration by system integrators and/or retailers

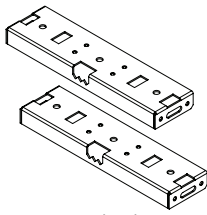
options

- Remote assistance

!D
STORE



ID Top



mounting bracket (2x)

package includes

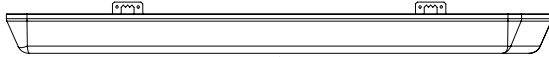
- ID Top
- Store ID electronics
- Mounting brackets for wall-mounting
- Mounting kit for ceiling-mounting

ordering information

Description	Article number
ID Top	9954139
Power supply set	9561811

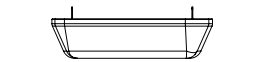
technical specifications

- Antenna type: Quad-patch circularly polarized
- Antenna beam-width: 21 (vertical) and 80 (horizontal) degrees
- Output power: 2 Watt ERP (maximum, can be set in the UI)
- Tag throughput: 50 - 400 tags per second (depends on role)
- Aisle width: 2 m (recommended), 2.5 m (maximum)
- Mounting height: Between 2.5 m and 3.5 m
- Connectivity: Ethernet (API, remote management, firmware update) Mini USB (service and configuration)
- Dimensions: 900 x 265 x 85 mm
- Weight: 4 kg
- Mains: 100 - 240 V
- Temperature: 0 .. 45 degrees
- Regulatory compliance, certifications: CE



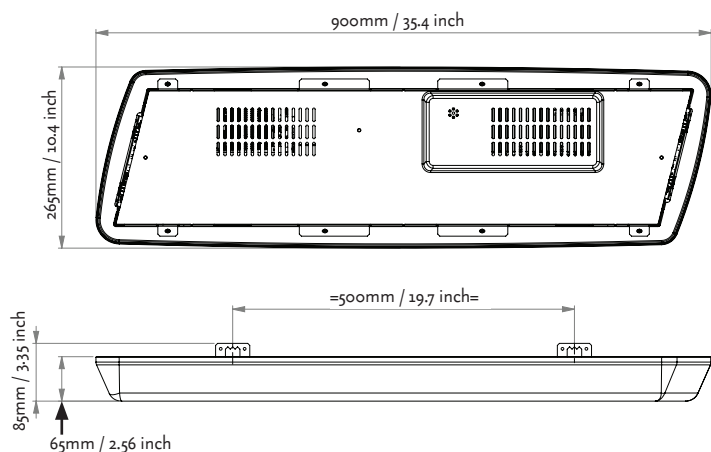
21°

detection field



80°

detection field



!D
STORE